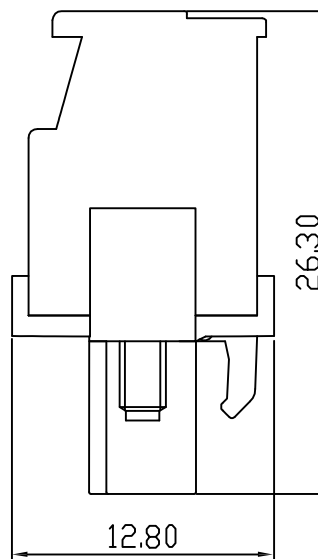
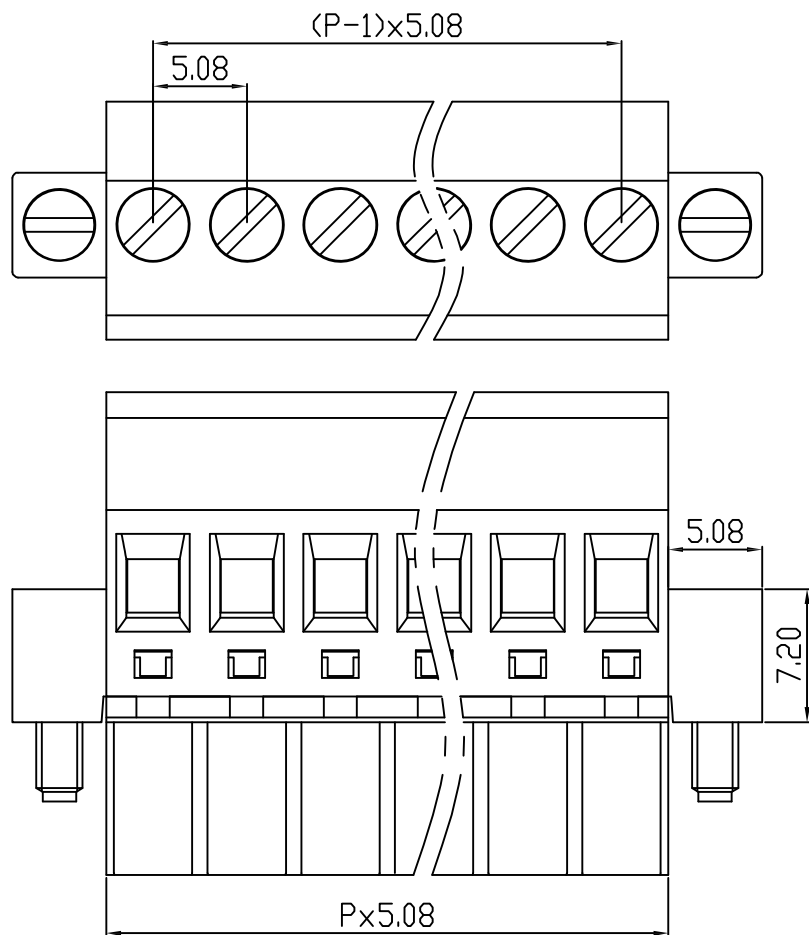


linear dimension(Tolerances Standard GB/T 14486-2008)								—	∇	\perp
variable range	to 6	over 6 to 10	over 10 to 30	over 30 to 60	over 60 to 100	over 100 to 160	over 160 to	to 10	over 10 to 100	over 100 to
tolerance	±0.20	±0.30	±0.50	±0.70	±1.00	±1.30	±1.60	0.10	0.30	0.60



REVISION RECORD				
REV.	DESCRIPTION	ECN NO.	APPROVE	DATE
A	新发行		YXW	2021. 2. 25

UL/CUL 技术参数				
UL/CUL Technical Data				
等级	Use Group	B	C	D
额定电压	Rated Voltage [V]	300	-	300
额定电流	Rated Current [A]	10	-	10
接线范围	Wire Range	24-12		
单/多芯线	Solid/Stranded [AWG]			
耐电压	Withstanding Voltage	AC1600V/1Min		
IEC 技术参数				
IEC Technical Data				
过电压类别	Overvoltage Category	III	III	II
污染等级	Contamination Class	3	2	2
额定电压	Rated Voltage [V]	-	320	630
额定电流	Rated Current [A]	-	15	15
额定冲击电压	Impulse withstand voltagea [KV]	-	4.0	4.0
导线截面积	Conductor cross section	2.5		
硬质/柔性导线	Solid/flexible [mm ²]			
材料				
绝缘材料	Insulation Material	热塑性材料 Thermoplastic		
导体材料	Contact Material	铜合金 Copper alloy		
导体表面镀层	Contactive Coating	镀镍 Ni plated		
一般参数				
间距	Pitch [mm]	5.08		
极数	Poles [P]	2-24		
剥线长度	Stripping Length [mm]	7-8		
螺丝	Screw/扭矩 Torque(Max) [N.m]	M2.5/0.4		
工作温度	Operating temperatur [°C]	-40~+105		
引针尺寸	Pin Dimensions [mm]	-		
PCB板孔径	PCB Hole Diameter [mm]	-		

DES.	CLB	DATE	2021. 2. 25	单位/UNITS	MM	时间/SIZE	A4	比例/SCALE	1:1	第三视角/THIRD ANGLE PROJECTION	版本/REV	A
CHK.	LF	DATE	2021. 2. 25	宁波市旭骋电子有限公司 NINGBOSHI XUCHENG ELECTRONIC CO., LTD						名称/TITLE	XC2EDGKBM-5.08	
APP.	YXW	DATE	2021. 2. 25									